

**Characteristics**

Hydraulically pilot operated check valves allow free flow from A to B. The counter-flow direction is blocked.

When pressure is applied to control port X, the ring chamber flow from B to A is released. The pilot control ratio is 6:1.

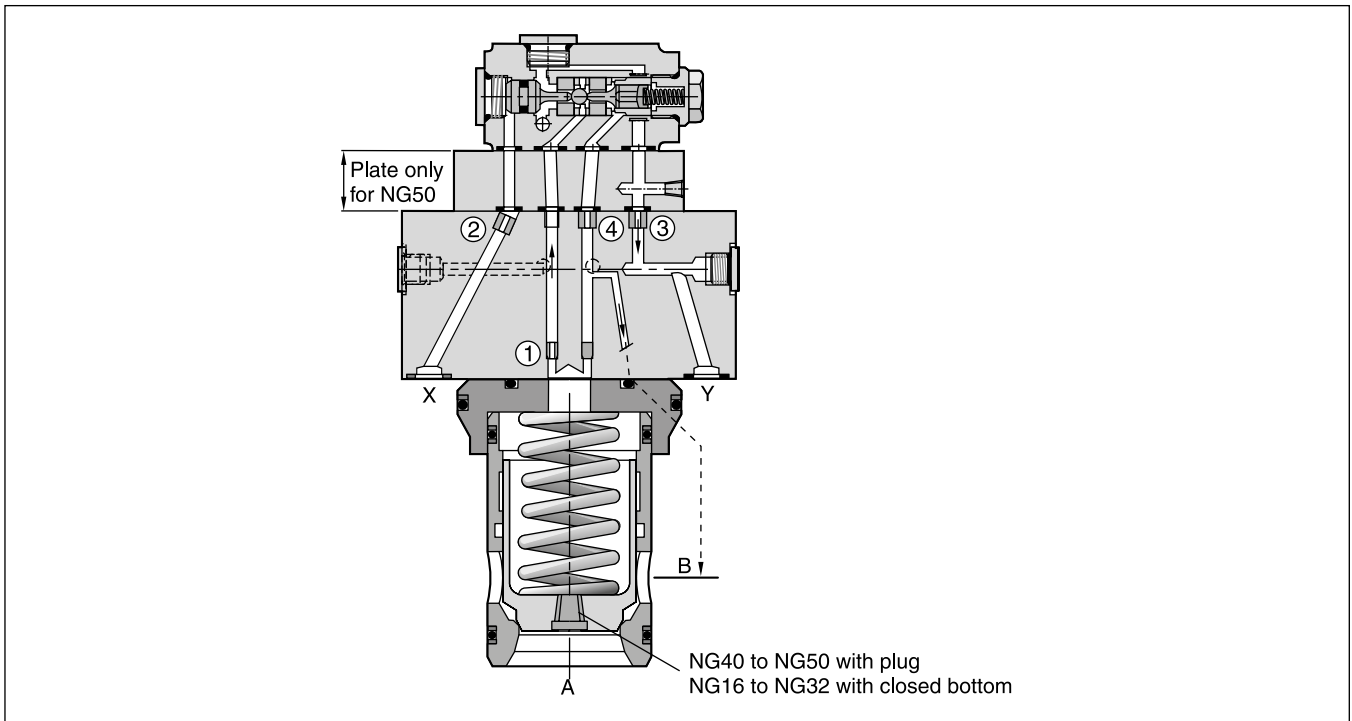
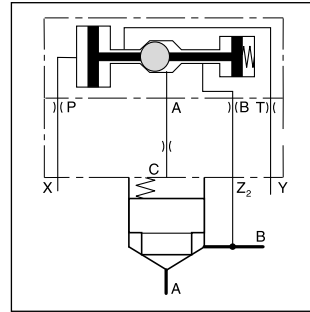
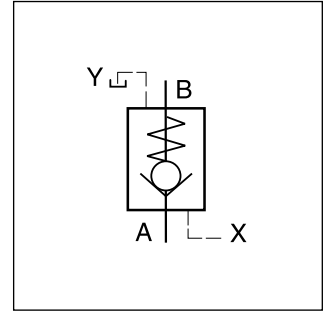
**Function**

When no pressure is applied to the X-port, the flow from B to A is blocked, because the pressure in B is also effective on top of the poppet.

Pressurizing the X-port relieves the area on top of the poppet to the drain port and allows flow from B to A. The seat design of the SVLB valve series provides leak-free separation of port A and B in the closed position.

**Features**

- Pilot operated check valve
- Cavity and mounting pattern acc. to ISO 7368
- Dampening poppet optional
- 5 sizes NG16 to NG50



Ordering Code / Characteristics

Ordering code

□	<b>SVL</b>	<b>B</b>	<b>10</b>	□	<b>6</b>	<b>E</b>	□	□	□
Seal	Hydr. operated check valve	Slip-in mounting	Design style acc. to ISO 7368	Poppet type	Pilot control ratio 6:1	Slip-in cartridge valve	Valve size	Closing spring	Design series (not required for ordering)

Code	Seal
omit	<b>NBR</b>
V	FPM

Code	Spring
N	0.5 bar
<b>S</b>	<b>1.6 bar</b>
T	2.5 bar
U	4.0 bar

Code	Size
16	NG16
<b>25</b>	<b>NG25</b>
<b>32</b>	<b>NG32</b>
40	NG40
50	NG50

Code	Poppet type
<b>4</b>	<b>04</b>
8 <sup>1)</sup>	08

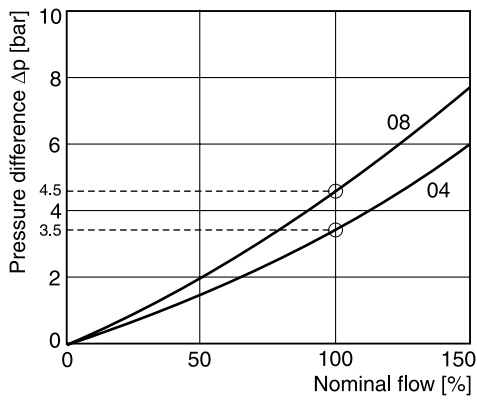
**Bold letters = Short-term availability**

<sup>1)</sup> With damping nose.

Technical data

General		NG16	NG25	NG32	NG40	NG50
Nominal size						
Interface		Slip-in mounting acc. ISO 7368				
Mounting position		unrestricted				
Ambient temperature	[°C]	-20...+60				
MTTF <sub>D</sub> value	[years]	75				
Weight	[kg]	2.3	3.2	4.6	7.8	12.0
Hydraulics						
Max. operating pressure	[bar]	350				
Nominal flow	[l/min]	250	450	900	1300	1800
Fluid		Hydraulic oil according to DIN 51524				
Fluid temperature	[C°]	-20...+70 (NBR: -25...+70)				
Viscosity, permitted	[cSt] / [mm <sup>2</sup> /s]	20...400				
Viscosity, recommended	[cSt] / [mm <sup>2</sup> /s]	30...80				
Filtration		ISO 4406 (1999); 18/16/13				

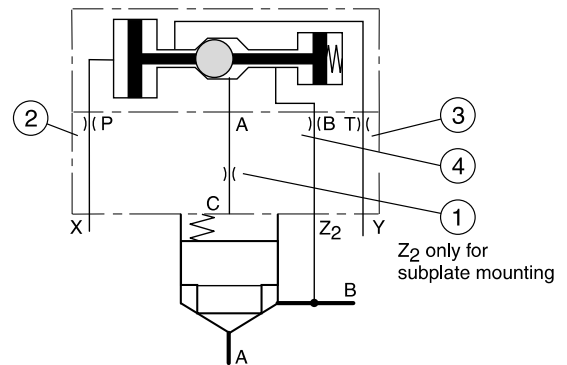
Δp/Q flow curve



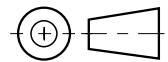
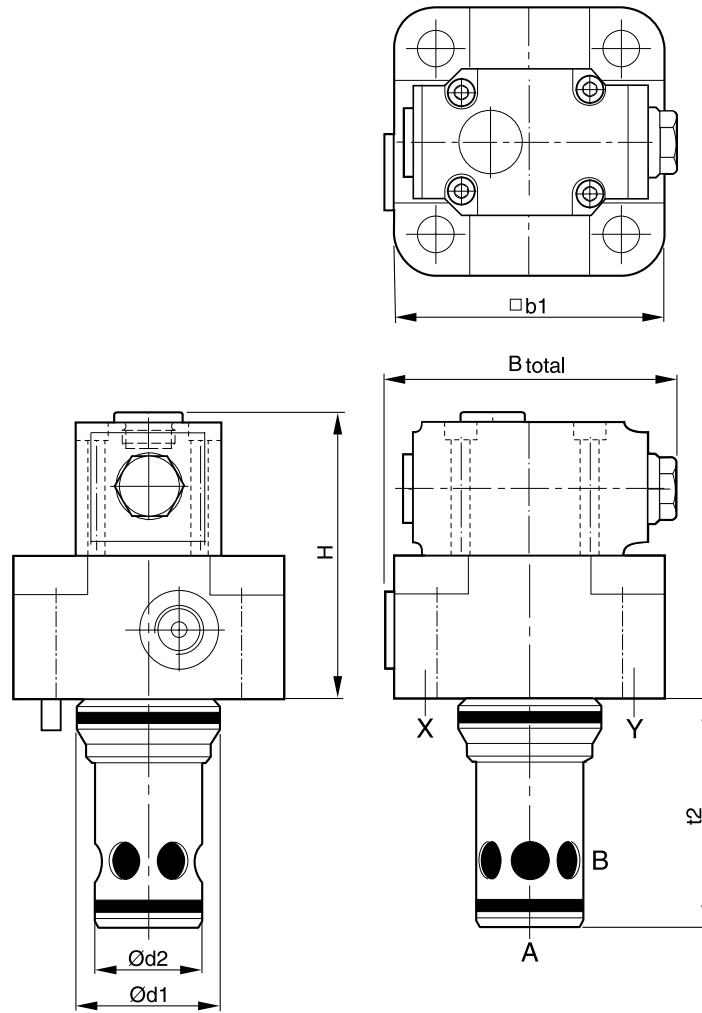
Poppet type 04, 08, without spring.

All characteristic curves measured with HLP46 at 50 °C.

Standard orifices

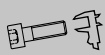




Pos.	E16	E25	E32	E40	E50
1	open (M5)	open (M5)	open (M5)	open (M5)	open (M6)
2	Ø1.2 (M5)	Ø1.2 (M6)	Ø1.2 (M6)	Ø1.2 (M6)	Ø1.2 (M8)
3	open (M5)	open (M6)	open (M6)	open (M6)	open (M8)
4	Ø1.0 (M5)	Ø1.2 (M5)	Ø1.3 (M5)	Ø1.5 (M6)	Ø2.0 (M6)



**8**

Size	16	25	32	40	50
H	84	88	93	103	138
b1	79*	85	102	125	140
d1 <sup>H7</sup>	32	45	60	75	90
d2 <sup>H7</sup>	25	34	45	55	68
t2 <sup>+0.1</sup>	56	72	85	105	122
Bges.	99	94	103	133	148

NG	Kit	 ISO 4762-12.9	 [Nm]	 Kit	
				NBR	FPM
16	BK441	4x M8x50	31.8	SK-SVLB10E16	SK-SVLB10E16V
25	BK391	4x M12x50	108	SK-SVLB10E25	SK-SVLB10E25V
32	BK415	4x M16x55	264	SK-SVLB10E32	SK-SVLB10E32V
40	BK416	4x M20x70	517	SK-SVLB10E40	SK-SVLB10E40V
50	BK417	4x M20x75	517	SK-SVLB10E50	SK-SVLB10E50V

\* Width 65 mm.